



BP Specifications & Dimensions

Model	Avg. Power (KWH/24 Hrs) *	Inlet/Outlet Size (Inches)	Lbs. Desiccant Per Tower	Blower Size (HP)	Heater Size (KW)	A = Length (Inches)	B = Width (Inches)	C = Height (Inches)	Weight (Lbs.)
BP-100	40	1	60	1/2	3	48	26	67	510
BP-210	84	1 ½	120	1/2	5	64	38	67	890
BP-350	140	2	200	1	10	93	49	84	1330
BP-700	280	2	400	4.5	24	97	59	95	2450
BP-980	393	3	560	7	24	146	63	88	3360
BP-1260	505	3	720	10	30	156	64	86	3890
BP-1540	617	4	880	10	30	178	64	92	5250
BP-2100	841	4	1200	15	50	182	72	92	6640
BP-2520	1010	6	1400	20	60	202	72	117	8420
BP-3080	1234	6	1760	20	75	210	78	115	9100
BP-3500	1402	6	2020	25	90	228	70	106	14,100
BP-4000	1603	6	2310	25	90	228	70	106	16,700
BP-4500	1803	6	2600	30	100	243	80	108	19,300
BP-5000	2003	6	2890	30	130	243	84	108	20,200
BP-5500	2204	6	3180	30	130	243	84	112	22,700
BP-6000	2404	6	3470	40	150	256	85	108	23,500
BP-6500	2604	6	3760	40	150	256	85	108	24,600
BP-7000	2805	6	4050	50	175	256	92	107	25,700
BP-7500	3005	8	4340	50	175	258	92	114	28,900
BP-8000	3205	8	4630	50	200	258	92	116	30,100
BP-9000	3606	8	4910	60	200	290	106	123	32,500
BP-10,000	4007	8	5200	60	250	300	110	128	35,800

Ratings based on 100 psig & 100°F.

Other pressures available.

Larger sizes available.

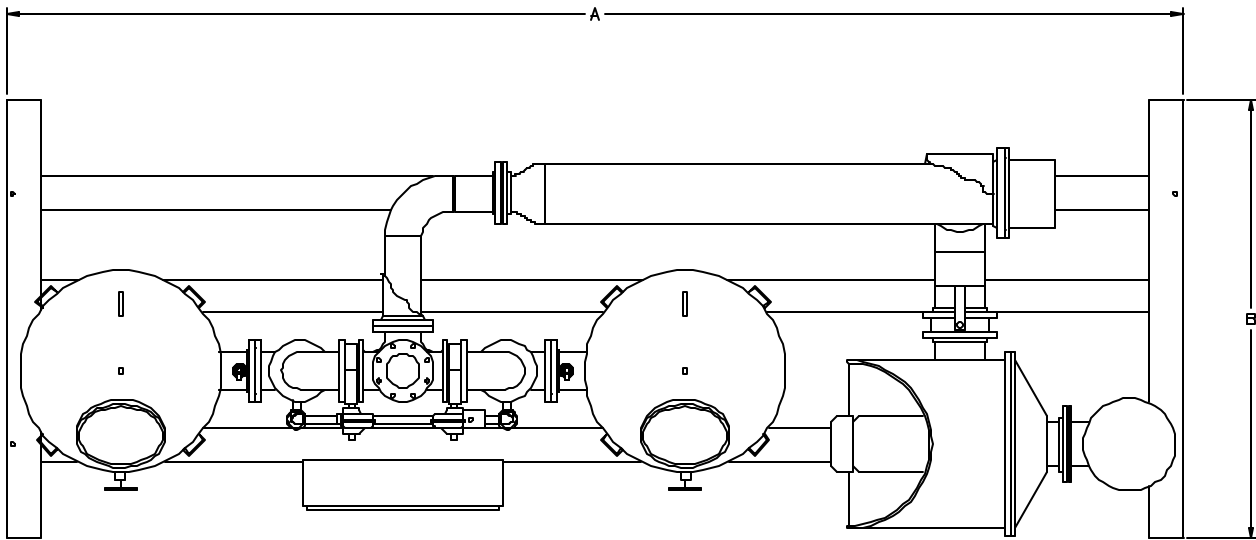
Weights and dimensions are estimated.

Metric dimensions available upon request.

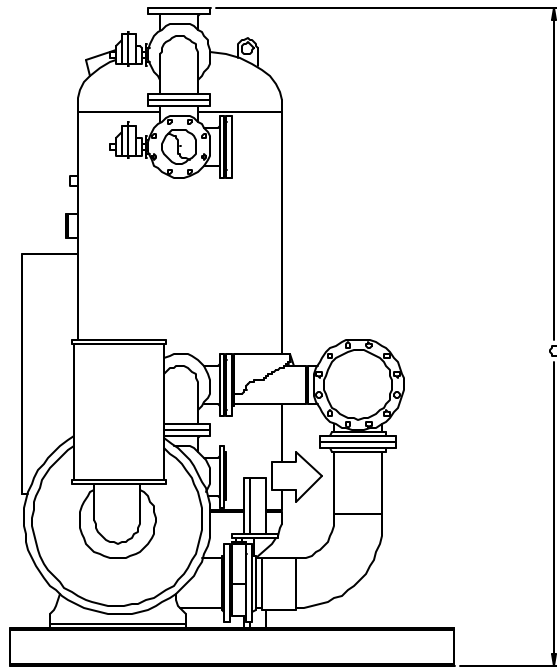
Consult factory for additional information.

Sahara reserves the right to make changes without notification.

* Average power usage does not include savings by using Sahara's Dewpoint Demand Controller.



BP Top View



BP Side View

*Sample drawings to illustrate (A) Length, (B) Width, and (C) Height.
Actual drawings will vary by model.*



SAHARA AIR DRYERS

Division of Henderson Engineering Co., Inc.
95 North Main Street • Sandwich IL 60548
815-786-9471 • Fax: 815-786-6117
www.saharahenderson.com